

# Senscient ELDS™ OPGD Series 1000 LT Methane

*Fulfilling the promise of open path gas detection (OPGD)*

## About Senscient ELDS OPGD

ELDS™ is a patented, new open path gas detection (OPGD) technology from Senscient. The innovative Enhanced Laser Diode Spectroscopy (ELDS) detection technology featured in our ELDS Series of open path gas detectors truly fulfills the promise of fit-and-forget open path gas detection...

- **Reliable detection of both toxic & flammable gases.**
- **Industry's first false-alarm free Open Path Gas Detector.** ELDS detection is molecular species specific, eliminating false alarms from common atmospheric or non-hazardous gases that plague traditional OPGD (or any NDIR or LDS technology) systems.
- **FIRST and ONLY laser open path combustible gas detector to meet current industry Safety Standards.**
- **FIRST and ONLY gas detector with SimuGas™, an electronic, remote functionality check.**
- **3 orders of magnitude greater sensitivity for combustible gases versus conventional NDIR-based detectors.**
- **Up to 60% reduction in gas detection project Cap Ex and OpEx, with true Fit-&-Forget functionality.**
- **Backed by a network of industry-leading gas detection solutions providers.**



## Senscient ELDS Series 1000 LT Methane Detector Features / Benefits:

- Reliable, open path detection of methane at levels low enough to provide early warning for leakage of this highly flammable gas. Detection Limits for methane leak detection are orders of magnitude lower than any other OPGD product.
- No false alarms from any other hydrocarbon gases including diesel fumes or oil mist.
- True ease-of-installation, with vibration and misalignment tolerant optics.
- SimuGas™ feature provides ability to accomplish on-demand, remote functionality testing right from the control room or PLC!
- High grade aluminum construction suitable for installation in land based indoor/outdoor Hazardous Area facilities.

## Applications:

Onshore Petrochemical and mid-industrial facilities and Refineries.

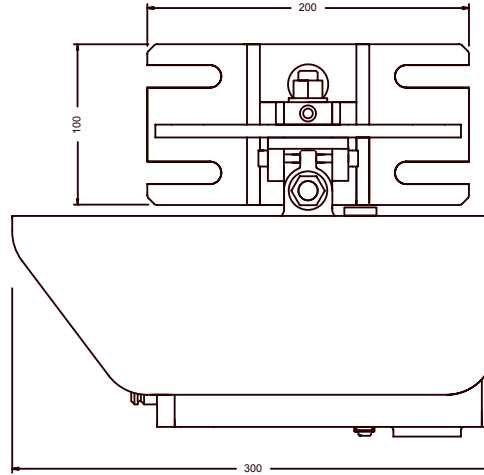
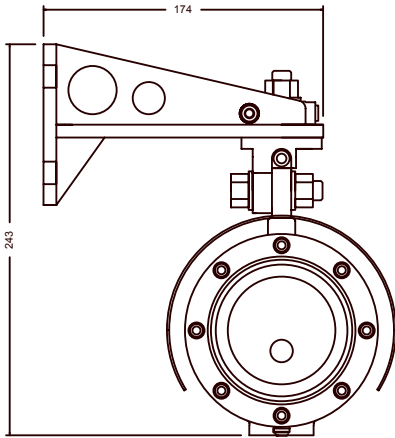
## Theory of Operation:

Using a separate transmitter and receiver configuration, Senscient ELDS Series 1000 LT Methane OPGD systems can detect and measure methane over distances between 5 and 200 m. The ELDS technique measures the Harmonic Fingerprint introduced onto the transmitter's laser beam(s) by absorption by any target gas in the monitored path.



# Senscient ELDS™ OPGD Series 1000 LT Methane

Fulfilling the promise of open path gas detection (OPGD)



## Specifications:

|             |  |
|-------------|--|
| Gas         | Methane  |
| Ranges      | 0-1 LEL.m  |
| Path-Length | 5-40 m = Short = S<br>40-120 m = Medium =M<br>120-200 m - Long = L |

## Performance:

|                      |                  |
|----------------------|------------------|
| Response Time        | T90 <= 3 seconds |
| Resolution           | 0.5% FSD         |
| Repeatability        | <= +/- 2% FSD    |
| Linearity            | <= +/- 2% FSD    |
| Zero Drift           | <= +/- 1% FSD    |
| Span Drift           | <= +/- 2% FSD    |
| Min. Alarm Threshold | 10% FSD          |

## Environmental:

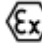
|                       |  |
|-----------------------|--|
| Ingress Protection    | IP66/67, TYPE 4/6                          |
| Enclosure Material    | Aluminum Alloy A6082 T5                    |
| Operating Temperature | -40° C to +60° C                           |
| Humidity              | 0 – 100% RH (non-condensing)               |
| Vibration             | 10 -150 Hz, 2g                             |
| EMC                   | EN50270                                    |
| Fog / Mist            | Operates until signal < 5% original signal |

## Certification / Approvals:

### CSA UL North America

Class 1 Div 1 Groups B C & D T5  
Class II/III, Div 1, Groups E F & G  
Ex d IIB + H2 T5  
Class I, Zone 1, AEx d IIB + H2 T5  
Tamb = -40° C to +60° C  
Entry: ¾" NPT

### BASEEFA ATEX:

 II 2 G Ex d IIB + H2 T5  
II 2 D Ex tD A21 T100° C IP66/67  
Tamb = -40° C to +60° C  
Entry: M25

## Electrical:

|                           |   |
|---------------------------|---|
| Operating Voltage         | +24 V nominal, operates correctly for supply voltages between +14 V and +32 V                                   |
| Power Consumption         | TX = +12W (max), RX = +10W (max)  |
| Output (Analogue)         | 4-20 mA (2 wire, isolated)<br>Configurable for single wire, sink or source<br>Capable of driving 0-600 Ohm load |
| Low Signal                | 3 mA (configurable 1 mA to 4 mA)  |
| Beam Block                | 2.5 mA (configurable 0 mA to 3.5 mA)  |
| Inhibit                   | 2 mA (configurable 1 mA to 4 mA)  |
| Fault                     | 0 mA (configurable 0mA to 1mA)  |
| Optional Output (digital) | RS485 (Isolated), MODBUS protocol   |

## Mechanical:

|          |   |
|----------|---|
| Size     | TX/RX 140 mm dia. x 300 mm  |
| Weight   | TX/RX 4.5 kg each   |
| Mounting | TX & RX units supplied fitted with a mounting bracket which incorporates holes / slots for fixing on flat surfaces or metal poles (4" to 6" diameter - requires U bolts). |

## Optical:

The unit will operate correctly, without spurious readings or faults during conditions of misalignment or partial obscuration.

|               |  |
|---------------|--|
| Alignment     | +/- 0.5°   |
| Obscuration   | >95%   |
| Heated Optics | The window-lenses of the TX and RX units are heated. |

## Calibration, Testing & Maintenance:

|             |  |
|-------------|--|
| Calibration | Units supplied factory calibrated for the specified target gas or gases. Units should not require re-calibration in service. |
|-------------|--|

## Part Numbers:

Senscient ELDS V-GGGG-C

Where:

|   |       |              |
|---|-------|--------------|
| V | = S = | Short Range  |
|   | = M = | Medium Range |
|   | = L = | Long Range   |

GGGG = 1012 = 0-1 LEL.m

|   |       |                      |
|---|-------|----------------------|
| C | = 3 = | BASEEFA ATEX         |
|   | = 4 = | CSA UL NORTH AMERICA |

E.g. Senscient ELDS M-1012-3 is a medium range ELDS OPGD calibrated for 0 - 1 LEL.m Methane with BASEEFA ATEX approval.

Distributed by:

